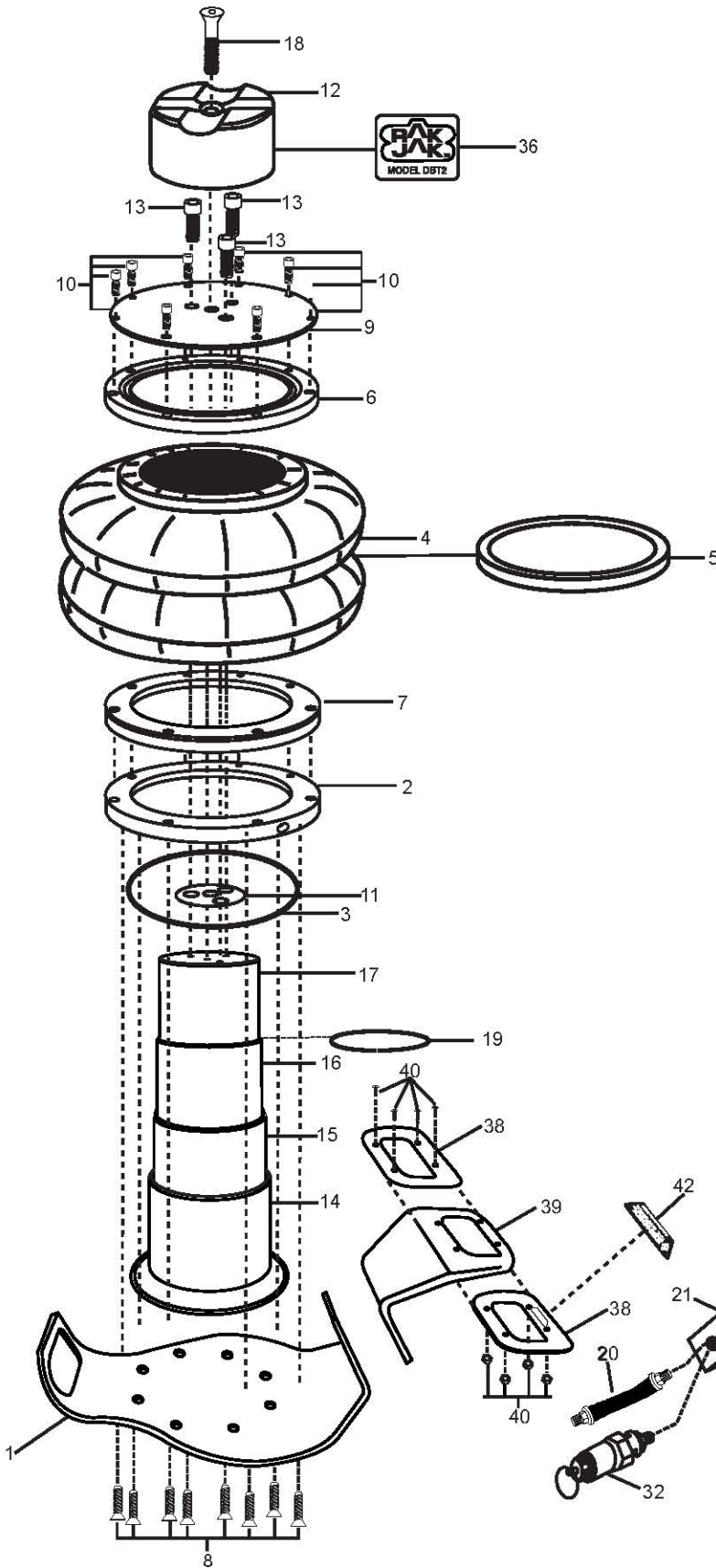


RAK JAK MODEL DBT2



ITEM	PART NO.	DESCRIPTION	QTY.
1	2200	Base	1
2	2201	Lower Air Ring	1
3	2202	O Ring (Bag Seal) 5 5/8 X 1/8	1
4	2203	Air Bag	1
5	2204	Center Ring	1
6	2205	Upper Bag Ring	1
7	2205	Lower Bag Ring	1
8	2207	Low Plate Mtg. Bolts 1/4 20 X 1 1/2 cntsnk	8
9	2208	Top Plate	1
10	2209	Top Plate Mtg. Bolts 1/4 20 X 5/8 Allen	8
11	2211	Gasket	1
12	2212	Jack Pad	1
13	2213	Mtg. Bolts 3/8 16 X 5/8 Allen	3
14	2217	Inner Member #1	1
15	2218	Inner Member #2	1
16	2219	Inner Member #3	1
17	2220	Inner Member #4	1
18	2221	Jack Pad Mtg. Bolt 3/8 16 X 1 1/2 cntsnk.	1
19	2223	Lock Ring	1
20	2225	Hose Assembly	1
21	2226	Valve Block	1
22	2227	Valve Blk. Mtg. Bolt 5/16 18 X 7/8 Serrated	2
23	2228	Handle	1
24	2229	Roll Pin 1 3/8 X 0.187	1
25	2230	Valve Body	2
26	2231	Valve Stem	2
27	2232	Valve Lock Cap	2
28	2233	Valve Spring	2
29	2234	O Ring 0.625	4
30	2235	O Ring 0.250	2
31	2236	O Ring 3/32 Teflon	2
32	2237	Pressure Relief Valve	1
33	2237	1/8 NPT Brass Allen Plug	1
34	3101	Warning Label	1
35	3102	Zendex Label	1
36	3103	Rak Jak DBT2 Label	1
37	3036	Serial Number Label	1
38	2245	Handle Grip	2
39	2199	Carry Handle	1
40	2277	Button Head Blk. 10-32 X 1/2	4
41	2278	Nut Black 10-32	4
42	3052	Zendex Handle Label	1
43	4040	Operation & Parts Manual	1

**NOTE: PART NUMBERS
IN GRAY BOXES ARE
FIELD REPLACEMENT
PARTS!**

